

# FURUTECH

PURE TRANSMISSION



## Cradle-Flat

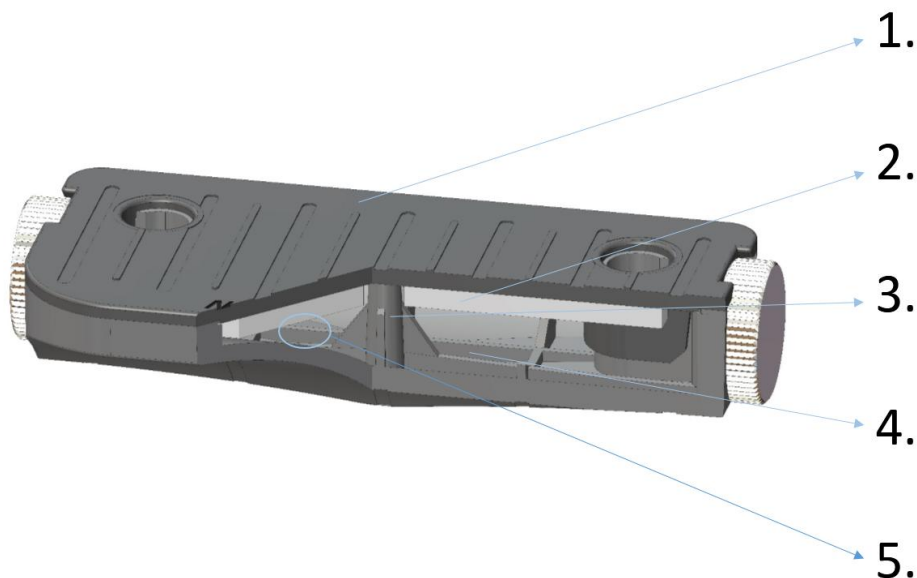
for NCF Booster (1pc/set)

FURUTECH original design --- Hybrid multi-material construction for improved sound quality


### **Nano Crystal<sup>2</sup> Formula (NCF).**

Incorporated into selected Furutech products, NCF features a special crystalline material that has two 'active' properties. First, it generates negative ions that eliminate static. Second, it converts thermal energy into far infrared. Furutech combines this remarkable material with nano-sized ceramic particles and carbon powder for their additional 'piezoelectric effect' damping properties. The resulting Nano Crystal<sup>2</sup> Formula is the ultimate electrical and mechanical damping material. Created by Furutech, it is found exclusively in Furutech products.

### **Construction and features of Cradle-Flat :**



1. **NCF (multi-material hybrid structure)** ... Audio grade ABS resin (Base) and NCF formulated nylon resin (Cover)
2. **Damping mat**
3. **Vibration transmission shaft (central column)**
4. **Vibration suppression wall (damping wall)** ... damping structure to suppress resonance.
5. **Air chamber** ... Internal air pressure suppresses vibration.
  - Overall Dimensions: W 46 X L 106 X H 22.5mm approx.
  - Net Weight: 77.0g approx. (1pc/set)

Accessories	
	<b>Silicone damping ring</b> <b>(2 Pcs)</b>

### Cradle-Flat set up image



XLR connector / XLR connector / HDMI



Speaker Cable



Pre. AMP. & Power AMP.

Product name	Product Introduction	Jan Code
<b>Cradle-Flat</b>	Cradle-Flat for NCF Booster	

*All metallic parts are treated by \*FURUTECH  $\alpha$  (Alpha) Process (Super Cryogenic & Demagnetize Treatment .)*

**FURUTECH CO., LTD.**    [service@furutech.com](mailto:service@furutech.com)

**NCF**<sup>®</sup> is a registered trademark of Furutech Co., Ltd. Japan