

FURUTECH

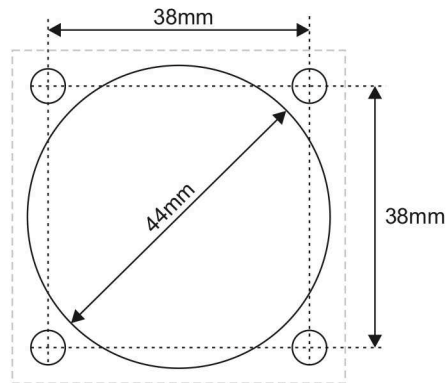
PURE TRANSMISSION

AEx

オーディオ銘機賞
Audio Excellence Award 2008



High Performance SCHUKO Sockets FI-E30 Series



FI-E30(R)

FI-E30(R) Rhodium-Plated

FI-E30(G) 24k Gold-Plated

High Performance SCHUKO Sockets

Type: 2- pole +earth Rating: 16A 250 V A.C.

- α (Alpha) Eutectic Copper Alloy Conductor
- Rhodium Plated or 24k Gold plated Conductor
- Materials: Nylon/fiberglass body
- Connection: Set-screws
- Type: 2-Pole + Earth • Rating: 16A/250V
- Specifications: Accommodates wire diameters to 2.5mm max. (12 AWG)
- Dimensions: 50.6 mm (L) x 50.6 mm (W) x 36 mm (H)



All metallic parts are treated with the

**FURUTECH α (Alpha) Process (Super Cryogenic & Demagnetizing Treatment.)*

FURUTECH CO., LTD.
service@furutech.com

Make A More Powerful Connection With Furutech!