

## THALES STATEMENT

After building finest tonearms for ten years, Micha Huber contributes all experience into a new piece of art: The THALES STATEMENT. Based on the famous correction-mechanism for tangential pivoted tracking, the tonearm stands out with the following features:



**Thales Statement Gold:** *arm tubes golden coated, base ruthenium coated*



**Thales Statement Silver:** *arm tubes rhodium coated, base ruthenium coated*

## Features

### Optimized mechanical energy-flow and new materials for more dynamic sound

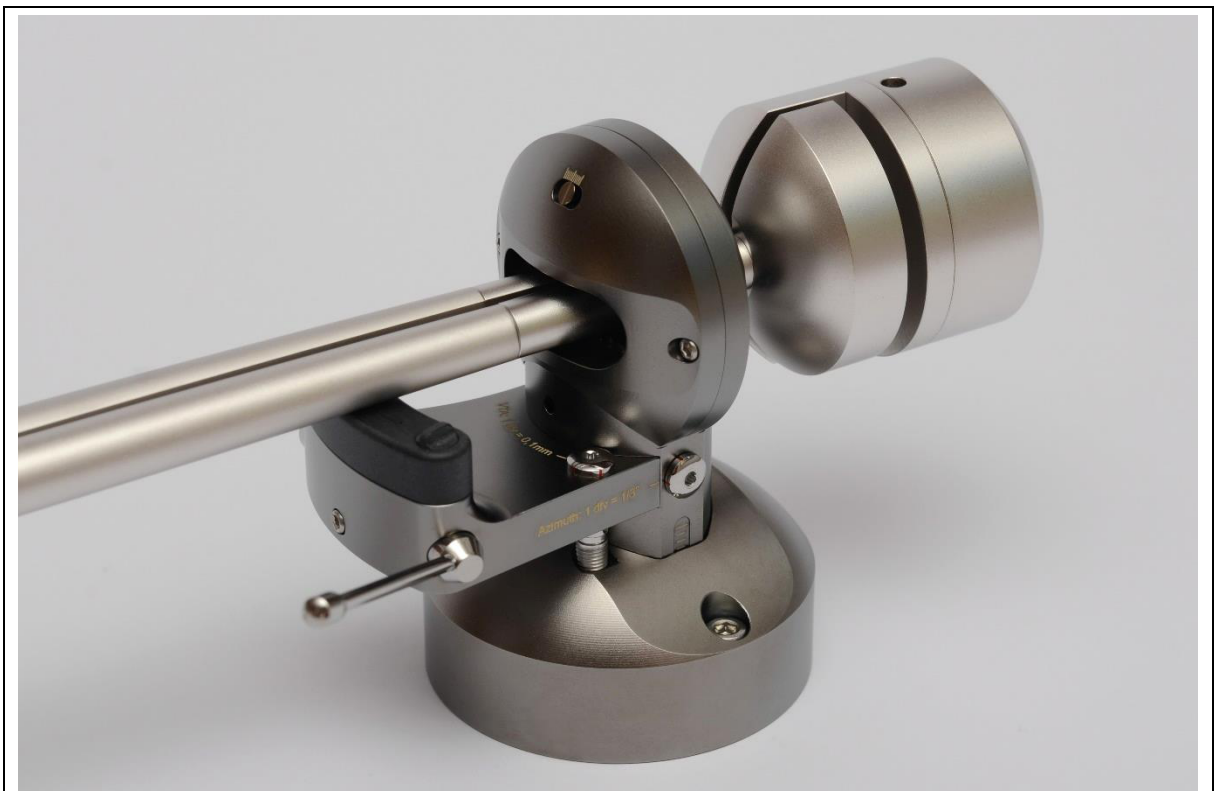
- Arm-tubes and headshell made of special aluminium alloy with the strength of steel but 10 times higher internal damping
- Arm-tubes curved for maximum rigidity
- Bearing unit completely capsuled to increase the mechanical rigidity up to 100x
- Elliptic shaping of base parts to increase critical contact surfaces
- Ruthnium coating on bearing- and base-parts to increase the damping properties

### Optimized electrical shielding properties

- All arm-parts golden- (for gold version) or rhodium-coated (for silver version)
- New bearing technology to ensure low-impedance connection points from base to head

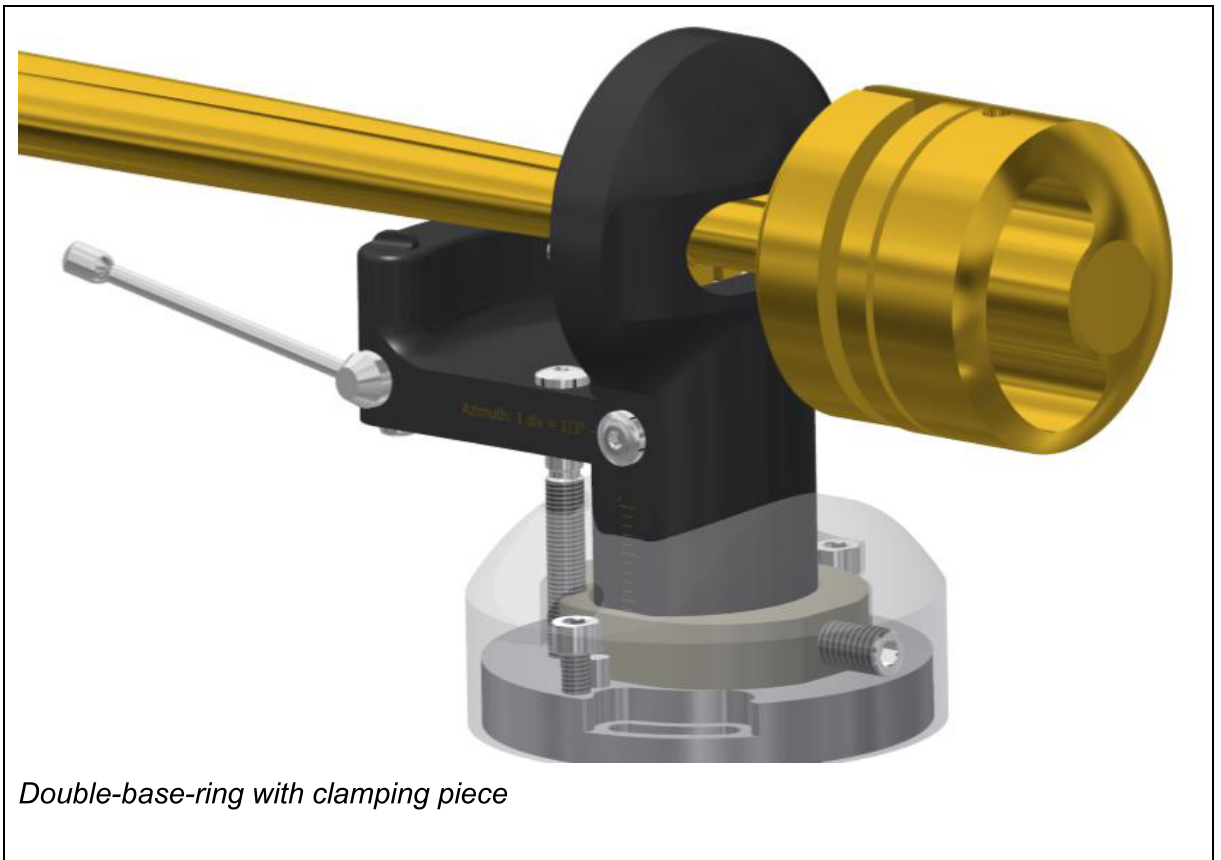
### New fine-adjustment-mechanism for more preciseness

- Fine adjustment device for VTA with 1/10mm scale
- Fine adjustment device for Azimuth with 1/3° scale
- Advanced clamping mechanism inside installation-ring to allow on-fly adjustment



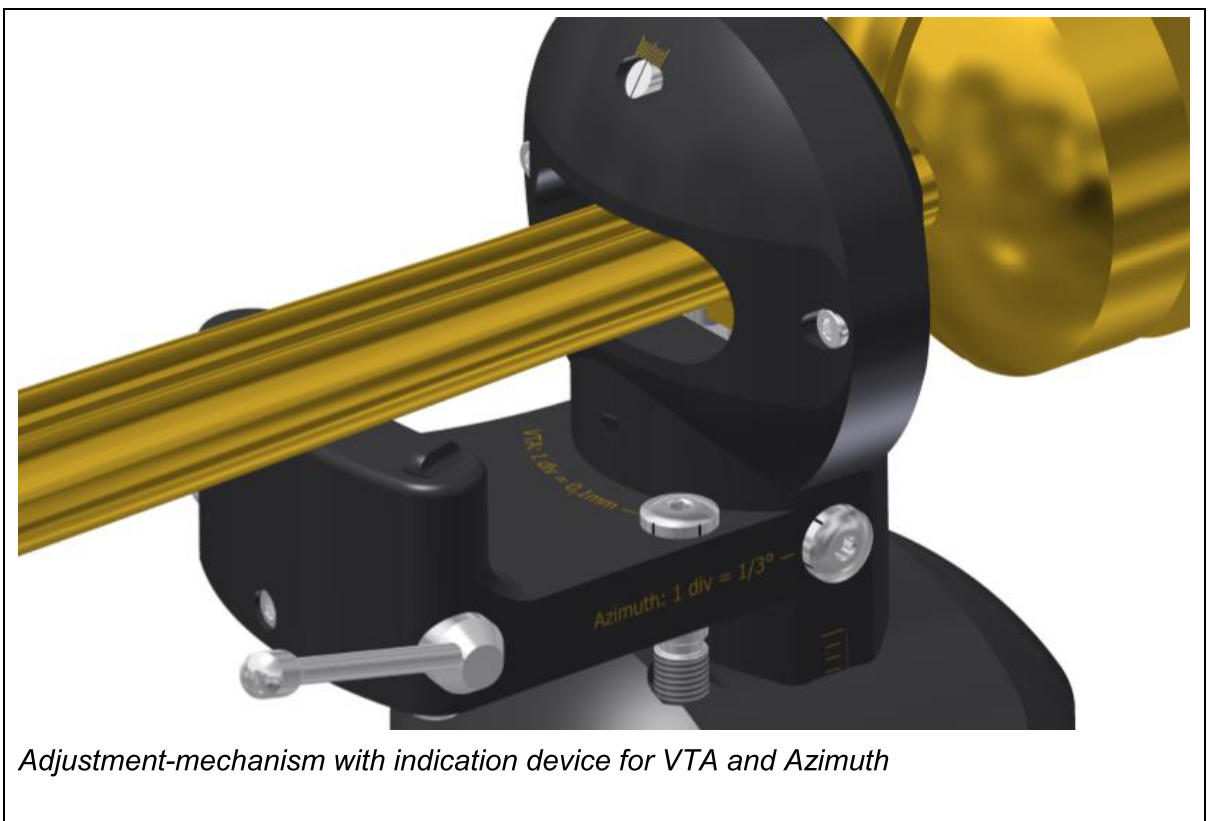
**Thales Statement Base:** *most advanced mechanical energy-flow*

Clamping-mechanism



*Double-base-ring with clamping piece*

Fine-adjustment



*Adjustment-mechanism with indication device for VTA and Azimuth*

Specifications



**SPECS**

<i>mounting distance:</i>	230mm
<i>tracking error:</i>	0,006°
<i>eff. length:</i>	229mm
<i>eff. mass:</i>	24g
<i>offset angle:</i>	8...19°
<i>cartridge weight:</i>	7...20g