

FURUTECH

PURE TRANSMISSION



NCF Clear Line-LAN



NCF Clear Line-LAN "LAN Optimizer" (1pcs)

"Plug and play, you'll notice the effects immediately. With overwhelming improvement in S/N (signal-to-noise) ratio, you'll experience an increase in detail information, taking your listening or viewing experience to the next level and enhancing the reproduction of subtle nuances. Without coloring the sound, it brings out the original appeal of your sound source."

Technology:

Featuring 24k Gold-Plated Nonmagnetic RJ45 (8P8C) Connectors

A specially engineered 24k gold-plated copper alloy EMI shield incorporated into the RJ45 connector provide more stable, clearer, and more accurate audio transmission. The excellent conductivity of gold can ensure more stable, accurate signal transmission stability, and consistency of audio signals. Reduced Electromagnetic Interference is essential for avoiding interference from electromagnetic noise in the surrounding environment.



Electrolytic Capacitor

Our electrolytic capacitors are engineered to optimize the acoustic performance of your devices. We've conducted extensive testing to select the ideal type and specifications of capacitor to elevate sound quality to its highest potential. The outer layer of our electrolytic capacitors is coated with a high-performance silver-colored special damping treatment, effectively suppressing unwanted vibrations, and enhancing sound clarity. Additionally, our capacitors feature advanced tuning technology designed to eliminate any noise interference originating from your equipment's output terminals, ensuring an unparalleled sound experience.

Usage:

Using Furutech's NCF Clear Line-LAN is easy. Simply insert the NCF Clear Line-LAN into the available LAN terminals of your ethernet equipment. For optimal results, insert this product into the available ethernet terminals of your system's AP router, ethernet switch/ethernet wall outlet/ethernet modem.

The improvement in performance is remarkable. You will immediately notice an improvement in soundstage depth and focus, as well as in the improvement of harmonics and balance of sound. It increases transparency and reduces high-frequency noise. It enhances the overall contrast, reduces distortion, and increases clarity.

Furutech's Two-Stage Cryogenic and Demagnetization Alpha Process

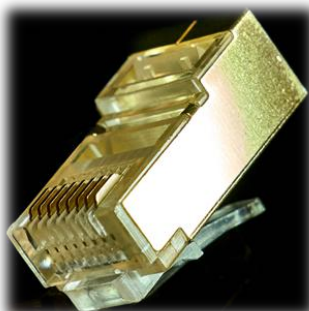
Using cutting-edge technology and materials, Furutech developed a low-temperature two-stage process that significantly improves every facet of audio and video performance. The treatment begins during the manufacturing process with a deep, conditioning cryogenic freeze of all metal parts. Using high-end refrigerants -- liquid N₂ or He -- Furutech achieves temperatures of between -196 to -250°C. The treated parts change their molecular structure at these extremes of temperature relieving internal stress. The molecules bond together more tightly, and the overall structure becomes more stable. This improves electrical conductivity and so power and signal transfer.

Step two in the Alpha Process exposes these same parts to the patented Ring Demagnetization treatment. Ordinary high-power magnets used for this purpose often increase magnetic effects; they leave some areas more magnetized than others. This patented process uses controlled attenuation to eliminate magnetization for immediately more vivid and colorful improvements. Ring Demagnetization further enhances conductivity of all treated materials.

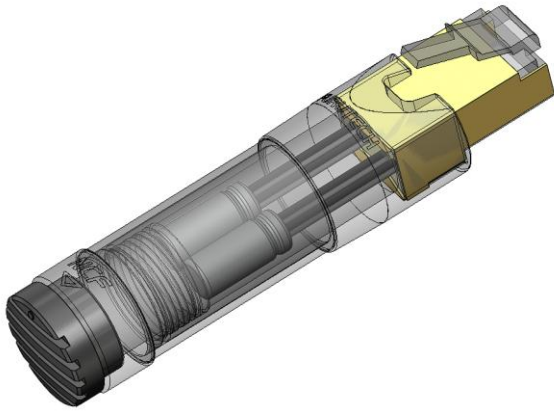
ALL metallic parts used in Furutech products go through the Alpha Process treatment to keep all connectors, conductors, and metal parts in a perfect stress-free, stable, and highly conductive state.

Features

1. NCF Clear Line-LAN

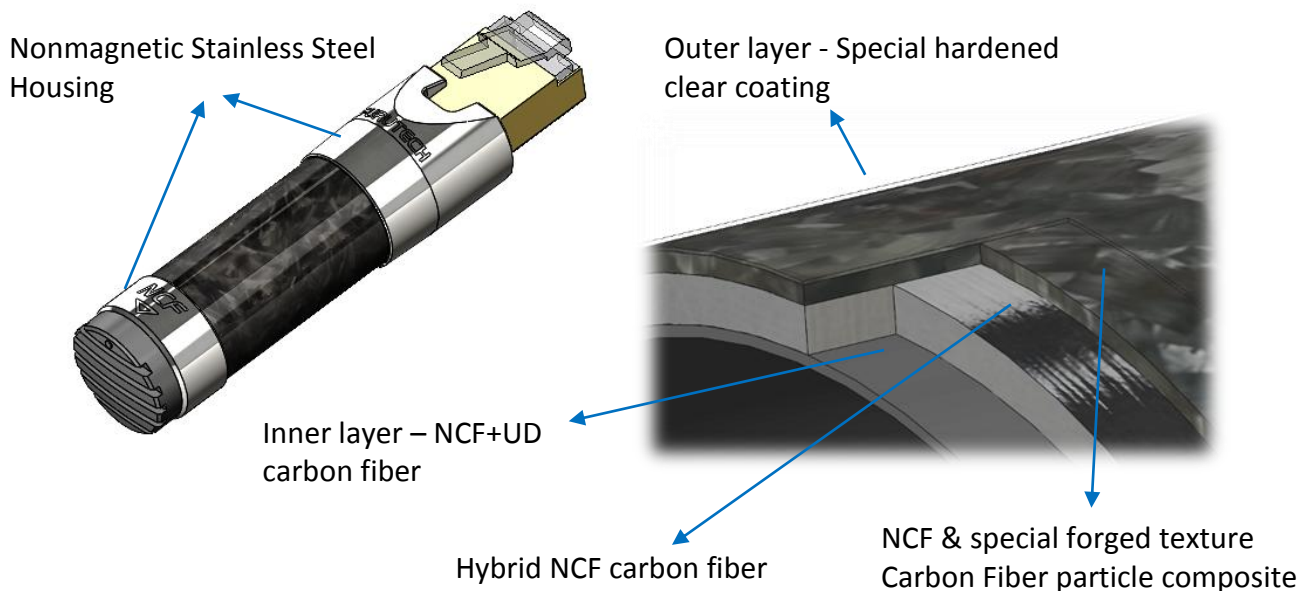


A specially engineered 24k gold-plated copper alloy EMI shield incorporated into the RJ45 connector provide more stable, clearer, and more accurate audio transmission.

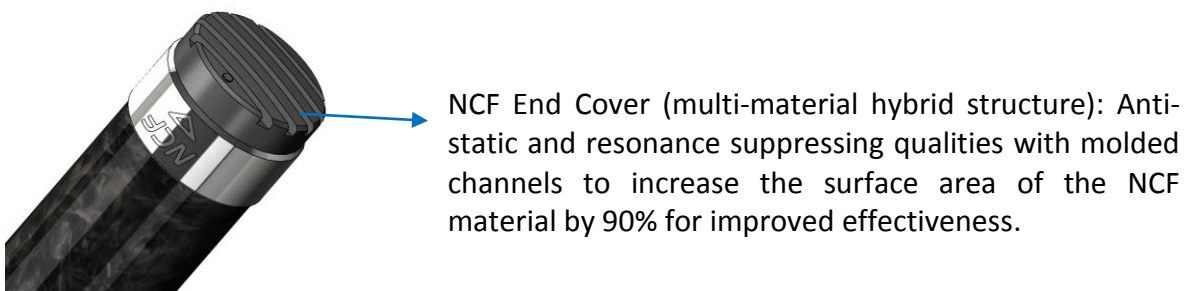


- 2. Semi-sealed air chamber :**
 The internal air chamber is pressure sealed to for additional damping effects.

- 3. The NCF Clear Line-LAN housing body ring has been formed from special resonance damping Stainless Steel and Furutech's NCF material and the housing constructed of 4 layers of special hybrid NCF forged texture carbon fiber. The best of damping and insulation materials improve frequency extension and tonal balance.**



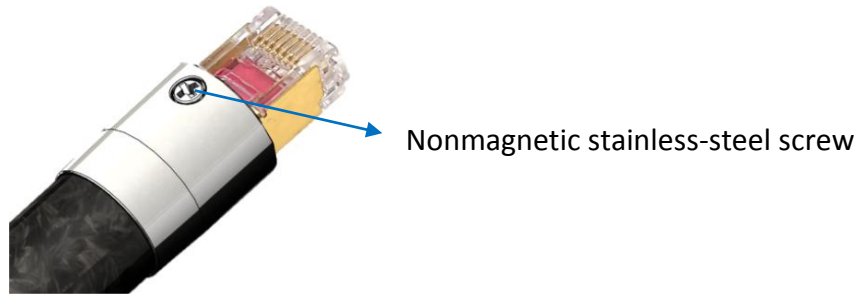
- 4. The NCF End Cover is formed from special heat resistant nylon and Furutech's NCF material for improved effectiveness – ultimate resonance damping for improved tonal balance.**



NCF End Cover (multi-material hybrid structure): Anti-static and resonance suppressing qualities with molded channels to increase the surface area of the NCF material by 90% for improved effectiveness.

5. The main body and shell of the product are fixed with special anti-shock stainless steel security screws customized. Factory adjusted to optimum torque value for performance.

*(The screws are fixed, please do not disassemble or and modify by yourself.)



Note:

- ※ The screws of this product are fixed. Please do not disassemble or modify by yourself.
- ※ We recommend aging for 24 hours or more.
- ※ The carbon fiber pattern of the shell varies depending on the product. It is formed with composite carbon damping material and will only enhance the listening experience.
- ※ Furutech uses non-magnetic stainless steel for some parts. However, stainless steel parts may exhibit weak magnetism due to stresses created during fabrication. It does not affect performance.

| Product name | Product Introduction | Jan Code |
|----------------------|----------------------|----------------------|
| NCF Clear Line – LAN | LAN Optimizer | XXXXXXXXXXXXXXXXXXXX |

*All metal parts are treated with *FURUTECH α (Alpha) Process (Super Cryogenic & Demagnetize Treatment.)*

FURUTECH CO., LTD. www.furutech.com service@furutech.com

NCF is a registered trademark of Furutech Co., Ltd. Japan