

FURUTECH

PURE TRANSMISSION



High End Performance Connector & Cable Holder NCF Booster-Signal

Multi-material Hybrid Construction – Furutech Original Design

---For the Ultimate Connector and Cable Damping Solution

Not a Sound Enhancer – A Sound Revealer

Nano Crystal² Formula (NCF).

Incorporated into selected Furutech products, NCF features a special crystalline material that has two 'active' properties. First, it generates negative ions that eliminate static. Second, it converts thermal energy into far infrared. Furutech combines this remarkable material with nano-sized ceramic particles and carbon powder for their additional 'piezoelectric effect' damping properties. The resulting Nano Crystal² Formula is the ultimate electrical and mechanical damping material. Created by Furutech, it is found exclusively in Furutech products.

NCF Booster-Signal -----

NCF Connector and Cable Holder

Furutech Original Multi-Material Hybrid Construction ---

For the Ultimate Connector and Cable Damping Solution

Damping support for connectors at components or wall

outlets and damping support for cables between

components – boosting cable and connector

performance.

Height: Base level- 82.5 mm/ Extended level- 142 mm approx.

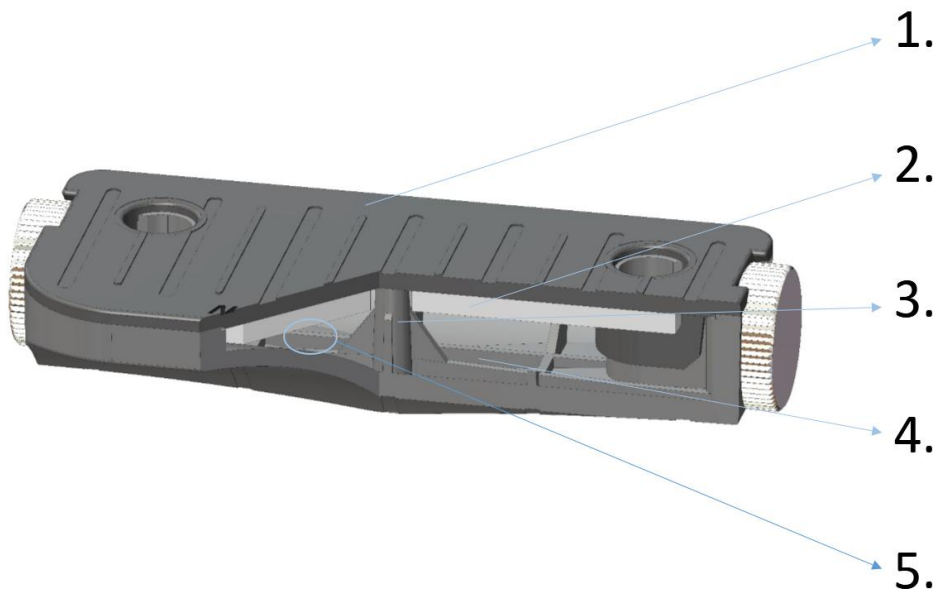
Overall Base Unit Dimensions: 94.1 x 99.7mm approx.

Net Weight:

Base level- 280g / Extended level- 340g approx.



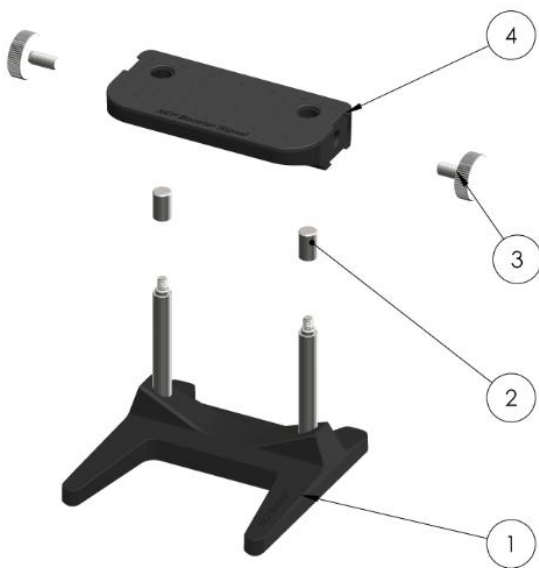
Construction and features of Cradle-Flat :





- 1. NCF (multi-material hybrid structure) ...**
Audio grade ABS resin (Base) and NCF formulated nylon resin (Cover)
- 2. Damping mat**
- 3. Vibration transmission shaft (central column)**
- 4. Vibration suppression wall (damping wall) ...** damping structure to suppress resonance.
- 5. Air chamber ...** Internal air pressure suppresses vibration.

- Overall Dimensions: W 46 X L 106 X H 22.5mm approx.
- Net Weight: 77.0g approx. (1pc/set)

Part names:



No.	Part names	
1	Base Unit & Shaft bar	
2	Shaft Bar Cap	
3	Support Fixed screws	
4	Cradle-Flat	
Accessories		
		Extension shaft bar (2 PCS)
		Silicone damping ring (2 PCS)

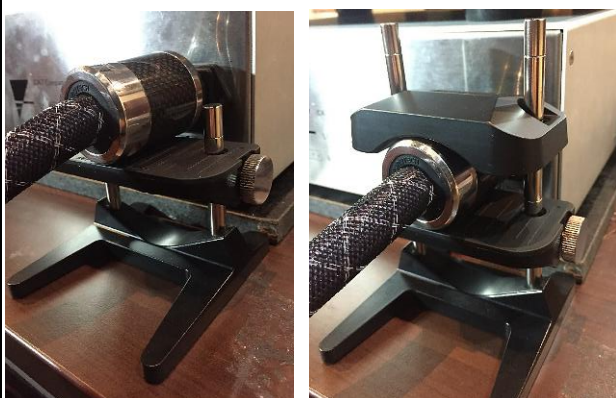
Usage examples for reference



XLR connector / XLR connector / HDMI



Speaker Cable



Pre. AMP. & Power AMP.

Product name	Product Introduction	Jan Code
NCF Booster-Signal	NCF Connector and Cable Holder	4580370443684

※ Top Clamp will be sold separately. It is not attached to the product.

⊕NCF[®] is a registered trademark of Furutech Co., Ltd. Japan