

FURUTECH

PURE TRANSMISSION



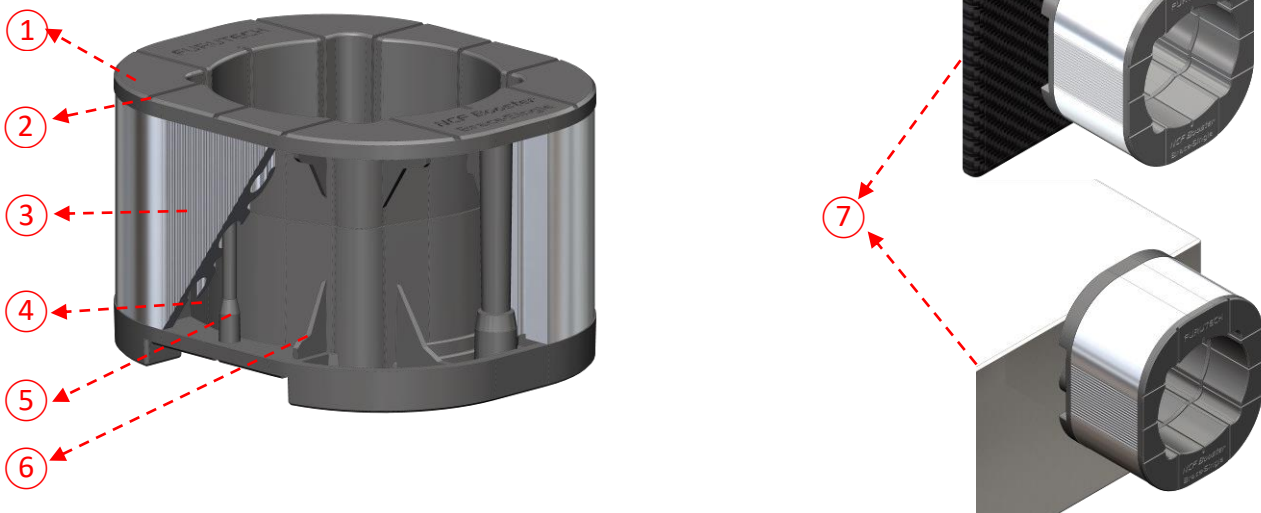
NCF Booster-Brace-Single

FURUTECH original design --- Hybrid multi-material construction for improved sound quality
Not a Sound Enhancer – A Sound revealer!

Nano Crystal² Formula (NCF).

Incorporated into selected Furutech products, NCF features a special crystalline material that has two 'active' properties. First, it generates negative ions that eliminate static. Second, it converts thermal energy into far infrared. Furutech combines this remarkable material with nano-sized ceramic particles and carbon powder for their additional 'piezoelectric effect' damping properties. The resulting Nano Crystal² Formula is the ultimate electrical and mechanical damping material. Created by Furutech, it is found exclusively in Furutech products.

Features and Materials:




1. **NCF (multi-material hybrid structure):** NCF formulated nylon resin (Body).
2. **Anti-vibration grooves:** suppresses surface vibration.
3. **Housing:** Special blasted and anodized aluminum alloy.
Internal structure designed to damp resonance and improve sound.
4. **Air chamber:** Internal air pressure suppresses vibration.
5. **Vibration radiating NCF pillar.**
6. **Vibration suppression wall (NCF damping wall):** elimination of resonance.
7. It is possible to correspond to various places such as the back of the equipment and single structure wall outlet.

Overall Dimensions: W 54.3 X L 64.8 X H 38.5mm approx.

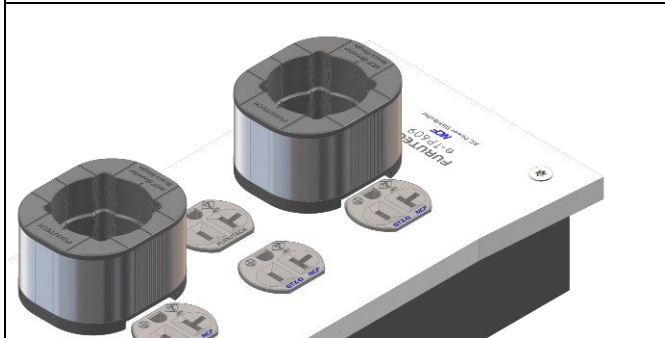
Net Weight: 67.5g approx.

Attached with special adhesive double-sided tape: strong adhesion with no residual glue.

Accessories	
	Special adhesive double-sided tape (2 spare pieces included)

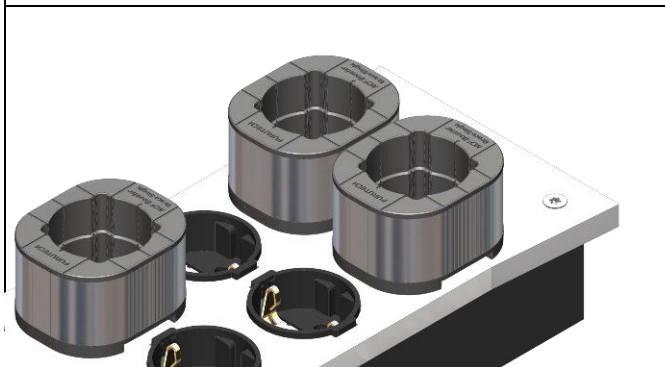
Usage examples for reference

With e-TP609 NCF / e-TP809 NCF



NCF Booster-Brace-Single used on e-TP609 NCF / e-TP809 NCF, set in the direction and intervals as shown on the left.
When using the method shown in the figure, an additional power connector can only be used in the middle socket.

With e-TP609E NCF / e-TP809E NCF



NCF Booster-Brace-Single used on the e-TP609E NCF, set them in the same direction and intervals (as shown on the left).
When used on the e-TP809E NCF, it can support different directions.



Power Distributor



Pre. AMP. & Power AMP back
of the equipment AC inlet.

Product name	Product Introduction	Jan Code
NCF Booster-Brace-Single	NCF Connector Support	4580370443974

*All metallic parts are treated by *FURUTECH α (Alpha) Process (Super Cryogenic & Demagnetize Treatment .)*

FURUTECH CO., LTD. service@furutech.com

 **NCF**[®] is a registered trademark of Furutech Co., Ltd. Japan