

FURUTECH

PURE TRANSMISSION



AEx

オーディオ銘機賞
Audio Excellence Award 2008



New for 2009!

FI-03(R) / FI-03(G) Pure Transmission IEC Input Connectors



Rhodium and 24k Gold-Plated Terminals • 5 x 20mm • Type: 2-Pole + Earth

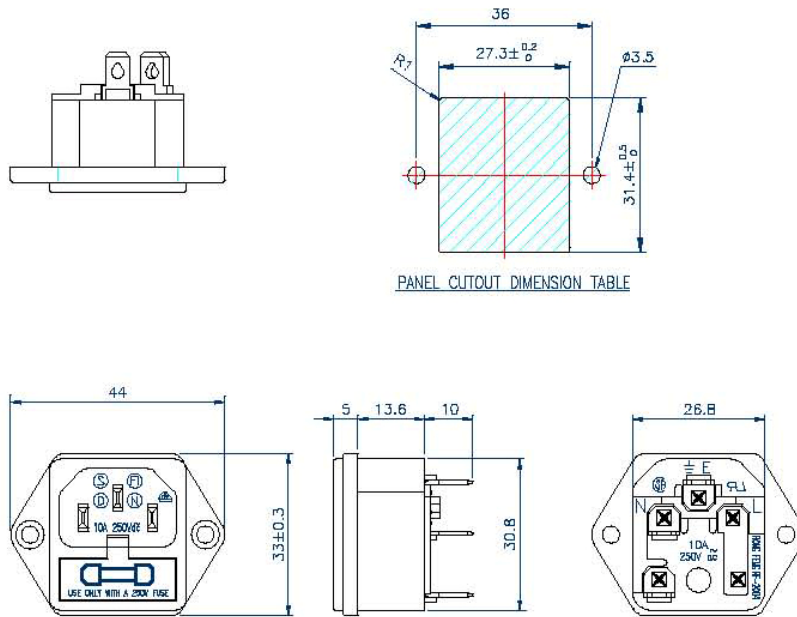
Features

- α (Alpha) copper alloy conductor
- PBT and fiberglass housing
- Dimensions: 44.0mm (W) x 28.6mm (D) x 33.0mm (H)
- Rating: 10A/250V
- Standard : IEC 320-1 C14
- Approvals : UL/CSA/VDE/DEMKO/SEMKO/NEMKO/FIMKO

Furutech Pure Transmission Philosophy

Meticulous build quality is a large part of the engineering equation. Furutech Pure Transmission technology turns a macro lens on every element of power and signal transfer applying optimized engineering solutions to well-known problems such as contact resistance, EMI and RFI rejection, grounding, and using the best materials and processes available.

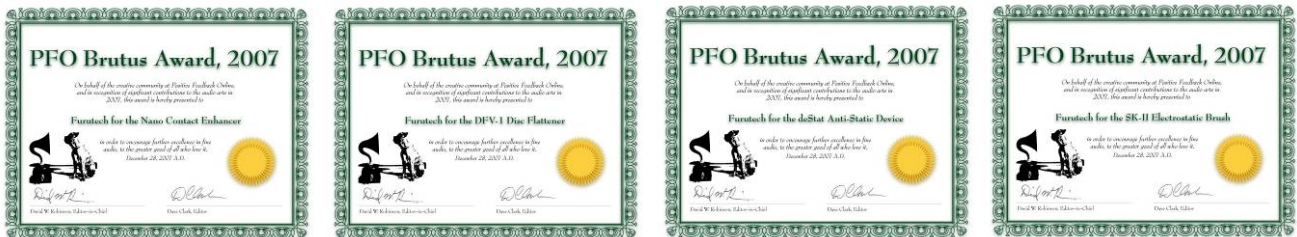
Dimensions



The Critics Speak

“Furutech's reputation in the audio connector sector is rock solid as it is for their apparently science-driven approach to even unconventional solutions like CD and LP demagnetizers ... The [Piezo Powerflux AC cord] is possibly the most radical implementation of hi-tech materials anyone in this sector has attempted yet ... Based on its noise killer damping action, I'd expect good results in systems which need greater organization, control and noise floor skills. Though far from cheap, Furutech's construction, ingredients and fit 'n' finish are top shelf. That makes certain rather more expensive offerings look like crazy home-brew or unduly funky efforts.”

-- Srajan Ebaen, 6moons.com



Winner of Four Positive Feedback Brutus Awards!

FI-50 Piezo Ceramic Series Connectors Win Innovations Award for 2009!

Make A More Powerful Connection with Furutech!

FURUTECH CO., LTD • service@furutech.com • www.furutech.com