



HS-001

Solid head shell

Vertical pin structure achieves uniform pressure of electrical contacts. Contact surface stabilized by spherical washer

Conventional head shells have the connecting pin attached only to the upper side, causing uneven contact pressure between the arm and the head shell.

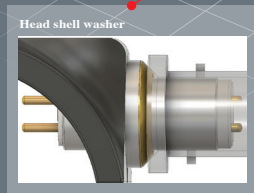
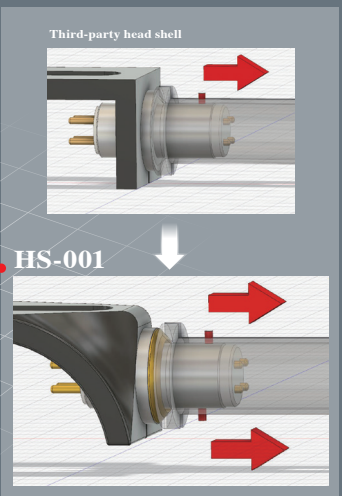
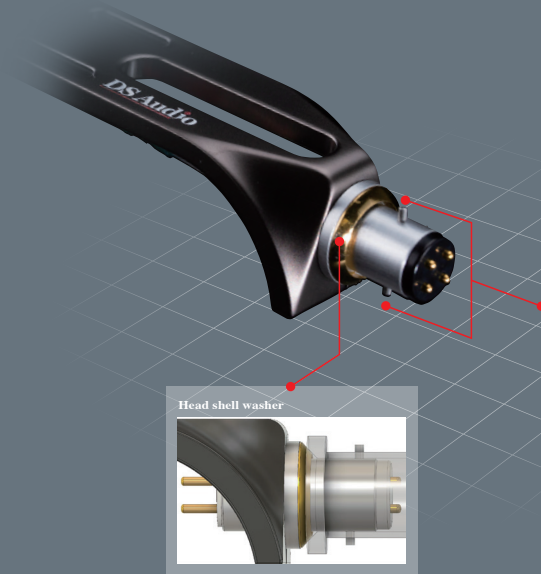
However, the HS-001 Solid Head Shell adopts both an upper and lower pin structure, equalizing the pressure on the contacts and applying force evenly across the connection to the tonearm.

Moreover, by using the spherical head shell washer developed by DS Audio independently at the contact point with the tonearm, stable contact is achieved over the entire circumference of the contact point, providing improved stability and resonance control.



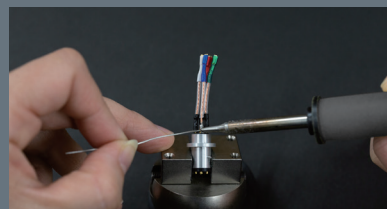
HS-001 Solid head shell

Material	Ultra duralumin
Connector part	Aluminum
Connector terminal	Gold plating
Connector terminal	Gold plating
External dimensions	H 21 × W 40 × D 55 mm (excluding connector part and protrusion part)
Weight approx	10.5 g (excluding shell lead wire)
Shell lead wire	Litz wire 4N φ 0.08 x 10 x 3 yore rings
Screw	Stainless steel bolt M 2.6 L 8 × 2, M 2.6 L 12 × 2



Ultra duralumin machining

HS-001 Solid head shell is incredibly rigid as each is individually machined from a solid piece of ultra duralumin.



Direct soldered lead wires

After rigorous listening tests within the company, we adopted Japanese made Litz wire. By soldering the lead wire and the head shell connector manually, perfect electrical contact is ensured and the freshness of the sound is maximized. (Lead wires and connector parts are available unsoldered as well, by dealer request.)